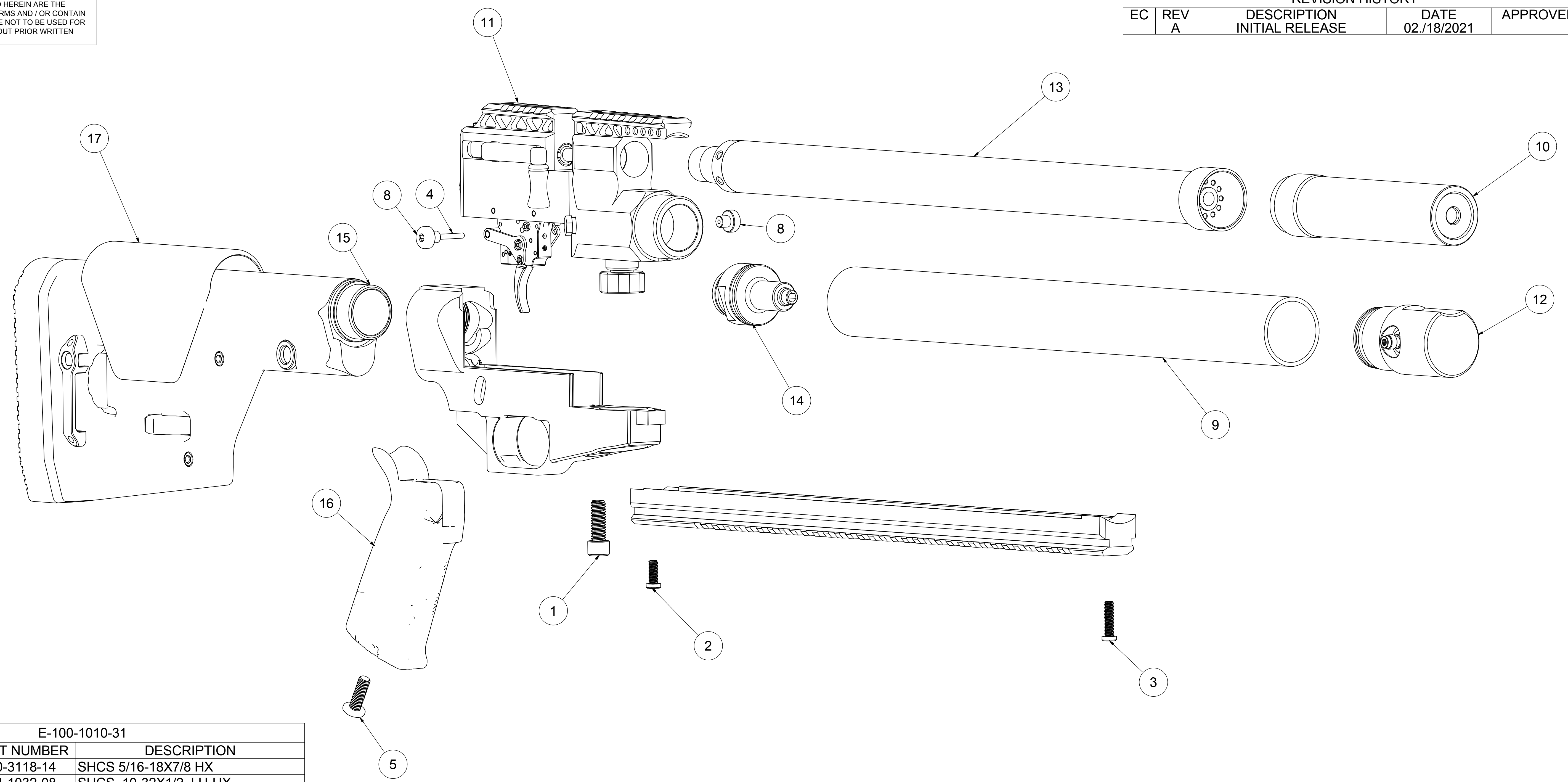


8 7 6 5 4 3 2 1

PROPRIETARY NOTICE:  
 TECHNICAL DATA AND DESIGNS DISCLOSED HEREIN ARE THE  
 EXCLUSIVE PROPERTY OF AMERICAN AIR ARMS AND / OR CONTAIN  
 PROPRIETARY RIGHTS OF OTHERS AND ARE NOT TO BE USED FOR  
 MANUFACTURE OR OTHER PURPOSE WITHOUT PRIOR WRITTEN  
 AUTHORITY OF AMERICAN AIR ARMS.

REVISION HISTORY				
EC	REV	DESCRIPTION	DATE	APPROVED
	A	INITIAL RELEASE	02./18/2021	



E-100-1010-31			
ITEM	QTY	PART NUMBER	DESCRIPTION
1	1	C-200-3118-14	SHCS 5/16-18X7/8 HX
2	1	C-204-1032-08	SHCS, 10-32X1/2, LH-HX
3	1	C-204-1032-12	SHCS, 10-32x3/4, LH-HX
4	1	C-210-0440-16	SHSS, 4-40X1. HX
5	1	C-253-1428-12	PHMS, 1/4-28X3/4-PH
6	1	D-100-0112-06	EVOL 30 18", 21" barrel
7	1	D-100-0121-00	Chassis, AR, EVOL
8	2	D-100-0154-01	Knob, Safety, Treaded
9	1	D-125-1500-15	Tube, EVOL 30
10	1	D-150-0020-03	Moderator Housing, 30 Cal., R-Core
11	1	E-100-0100-31	Receiver, 30 Cal., RH, EVOL
12	1	E-100-0102-00	Gauge Block, Non-Adj
13	1	E-100-0108-18	Barrel Assembly, 30 Cal., 18", EVOL
14	1	E-200-0015-00	Regulator, EVOL
15	1	Extension A2	Rifle Extension, A2
16	1	MAG415-BLK	Magpul MOE Grip, Black
17	1	MAG672-BLK	Magpul PRS G3

UNLESS OTHERWISE SPECIFIED: ALL DIMENSIONS ARE IN INCHES TOLERANCES ARE: FRACTIONS ANGLES DECIMALS +/- 1/32" +/- .5 .XX=.01 .XXX=.005 SURFACE FINISH 63 ✓	APPROVALS	DATE	<b>American Air Arms</b> (661) 468-7520 www.americanairarms.com TITLE <b>Master Assembly, EVOL TAC 30</b>	
	DRAWN Tom	2/19/2021		
	ELEC.			
	MECH.			
MATERIAL:	PROD.		SIZE	PROJECT
FINISH:	QA		B	
	CONFIG.		REF: P/N	REV
			E-100-1010-31	A
			SCALE	FILE TYPE / NAME
			NONE	INVENTOR: E-100-1010-31.idw
			SHEET	OF
			1	1