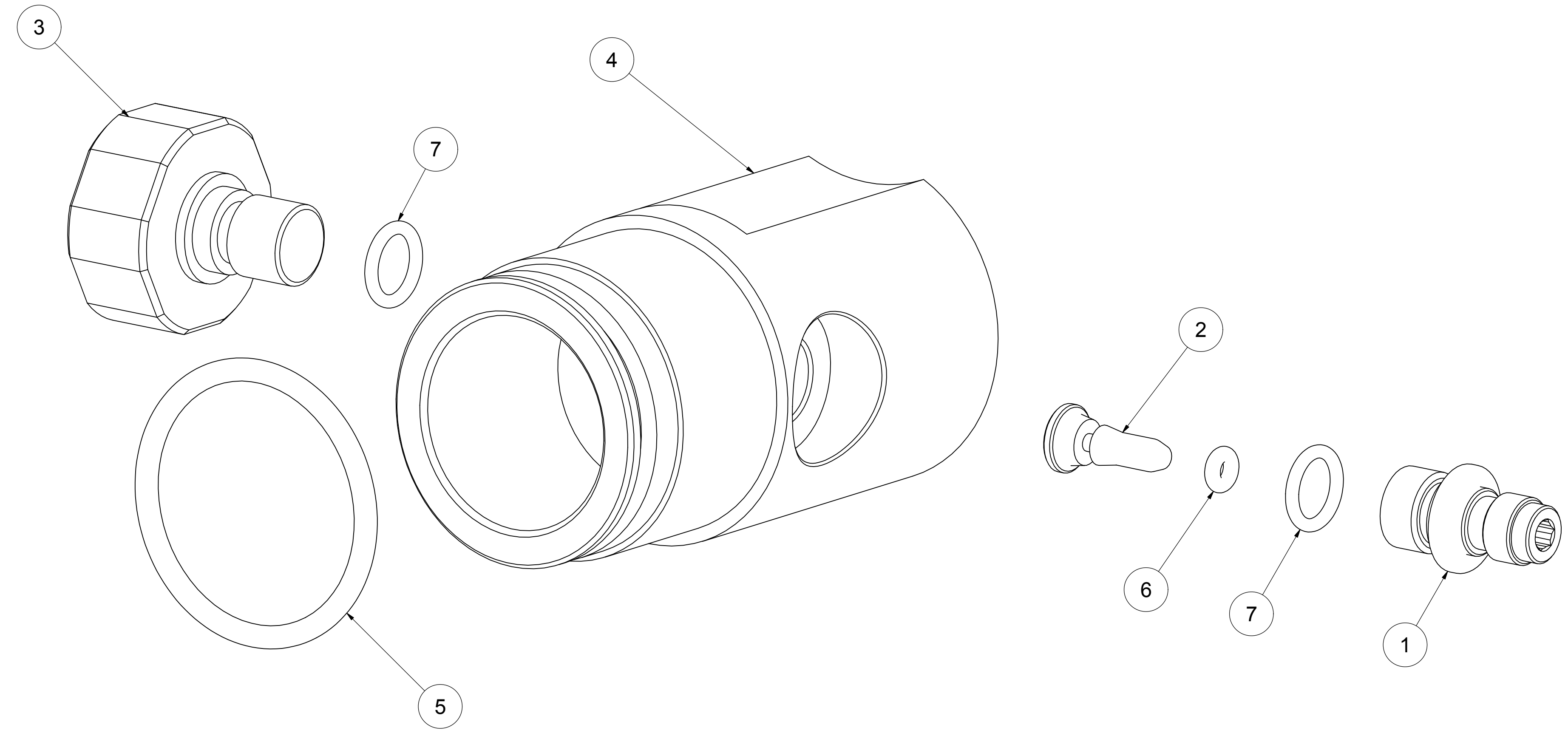


8 7 6 5 4 3 2 1

PROPRIETARY NOTICE:  
 TECHNICAL DATA AND DESIGNS DISCLOSED HEREIN ARE THE  
 EXCLUSIVE PROPERTY OF AMERICAN AIR ARMS AND / OR CONTAIN  
 PROPRIETARY RIGHTS OF OTHERS AND ARE NOT TO BE USED FOR  
 MANUFACTURE OR OTHER PURPOSE WITHOUT PRIOR WRITTEN  
 AUTHORITY OF AMERICAN AIR ARMS.

REVISION HISTORY				
EC	REV	DESCRIPTION	DATE	APPROVED
	C	3/8-28 O-Ring	02/18/2020	TC



E-100-0102-00 REV C			
ITEM	QTY	PART NUMBER	DESCRIPTION
1	1	D-100-0003-21	Foster, Body, 3/8-28 O-Ring
2	1	D-100-0004-01	Foster, Poppet
3	1	C-035-5000-28	Gauge, 5k, 3/8-28 O-Ring
4	1	D-100-0050-02	Gauge Block, 3/8-28 O-Ring
5	1	C-025-0122-00	O- Ring, -122, Buna 70
6	1	C-025-0004-00	O-Ring, -04, Buna 70
7	2	C-026-1070-00	O-Ring, 1.5x7mm, Buna 70

UNLESS OTHERWISE SPECIFIED: ALL DIMENSIONS ARE IN INCHES TOLERANCES ARE: FRACTIONS ANGLES DECIMALS +/- 1/32" +/- .5 .XX=.01 .XXX=.005 SURFACE FINISH 63 ✓	APPROVALS	DATE	<b>American Air Arms</b> (661) 468-7520 www.americanairarms.com	
	DRAWN Tom	2/20/2021		
	ELEC.		MECH.	Gauge Block, EVOL
	PROD.		QA	SIZE PROJECT REF: P/N REV B E-100-0102-00 C
MATERIAL:	CONFIG.		SCALE NONE	FILE TYPE / NAME INVENTOR: E-100-0102-00.idw SHEET 1 OF 1