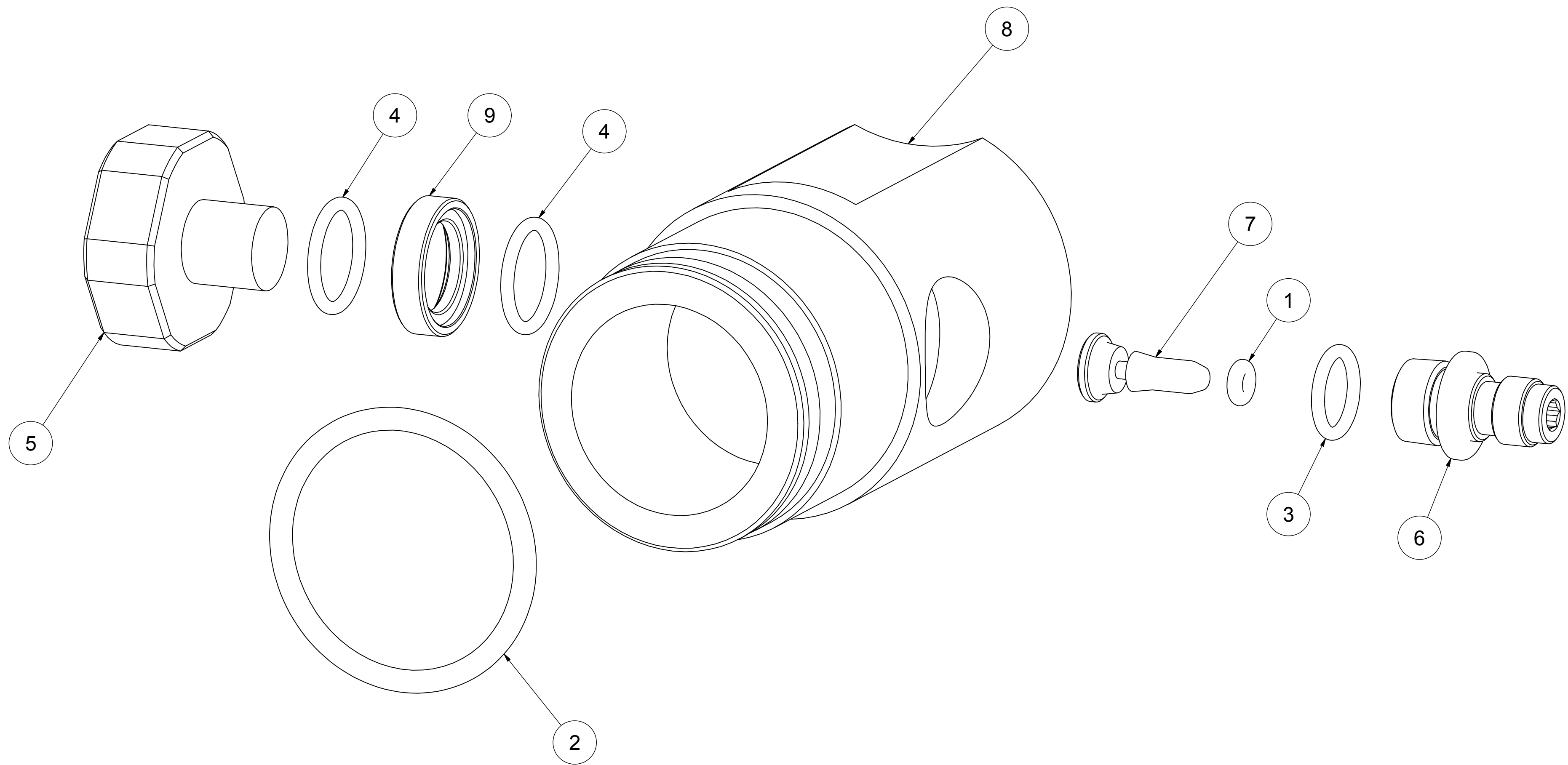


8 7 6 5 4 3 2 1

PROPRIETARY NOTICE:
 TECHNICAL DATA AND DESIGNS DISCLOSED HEREIN ARE THE
 EXCLUSIVE PROPERTY OF AMERICAN AIR ARMS AND / OR CONTAIN
 PROPRIETARY RIGHTS OF OTHERS AND ARE NOT TO BE USED FOR
 MANUFACTURE OR OTHER PURPOSE WITHOUT PRIOR WRITTEN
 AUTHORITY OF AMERICAN AIR ARMS.

REVISION HISTORY				
ECO	REV	DESCRIPTION	DATE	APPROVED
	B	1/8 NPT w/ O-ring Spacer	02/18/2021	TC



E-100-0102-00 REV B			
IT	QT	PART NUMBER	DESCRIPTION
1	1	C-025-0004-00	O-Ring, -.04, Buna 70
2	1	C-025-0122-00	O- Ring, -122, Buna 70
3	1	C-026-1080-00	O-Ring, 1.5X8.0mm, Buna 70
4	2	C-026-1105-00	O-Ring, 1.5x10.5mm, Buna 70
5	1	C-035-6000-27	Gauge, Omega 5K SS, 1/8 NPT
6	1	D-100-0003-11	Foster Body, Male 1/8 NPT w/O-Ring
7	1	D-100-0004-01	Foster, Poppet
8	1	D-100-0050-01	Gauge Block, Non-Adj, 1/8 NPT
9	1	D-100-0168-00	Gauge Seal 0.150

UNLESS OTHERWISE SPECIFIED:
 ALL DIMENSIONS ARE IN INCHES
 TOLERANCES ARE:
 FRACTIONS ANGLES DECIMALS
 +/- .1/32" +/- .5 .XX=.01
 .XXX=.005
 SURFACE FINISH 63 ✓

APPROVALS		DATE
DRAWN	Tom	2/20/2021
ELEC.		
MECH.		
PROD.		
QA		
CONFIG.		

American Air Arms
 (661) 468-7520 www.americanairarms.com

TITLE: Gauge Block, EVOL

SIZE	PROJECT	REF: P/N	REV
B		E-100-0102-00 RB	B
SCALE	FILE TYPE / NAME	SHEET	OF
NONE	INVENTOR: E-100-0102-00 RB.idw	1	1