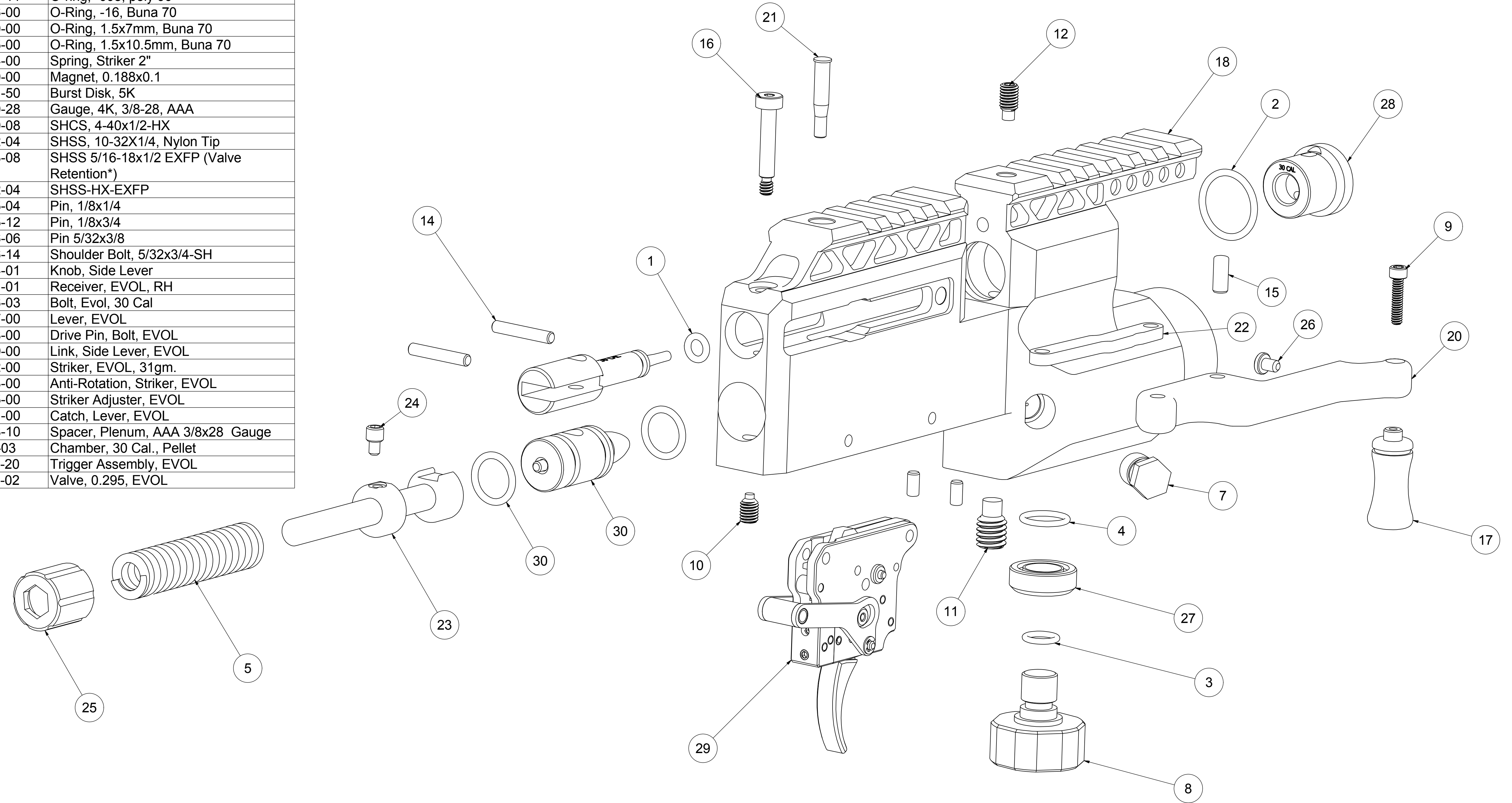


PROPRIETARY NOTICE:
 TECHNICAL DATA AND DESIGNS DISCLOSED HEREIN ARE THE
 EXCLUSIVE PROPERTY OF AMERICAN AIR ARMS AND / OR CONTAIN
 PROPRIETARY RIGHTS OF OTHERS AND ARE NOT TO BE USED FOR
 MANUFACTURE OR OTHER PURPOSE WITHOUT PRIOR WRITTEN
 AUTHORITY OF AMERICAN AIR ARMS.

| REVISION HISTORY | | | |
|------------------|-----------------|------------|----------|
| REV | DESCRIPTION | DATE | APPROVED |
| A | INITIAL RELEASE | 02/18/2021 | |

| E-100-0100-31 | | | |
|---------------|-----|---------------|--|
| ITEM | QTY | PART NUMBER | DESCRIPTION |
| 1 | 1 | C-025-0008-11 | O-ring, -008, poly 90 |
| 2 | 1 | C-025-0016-00 | O-Ring, -16, Buna 70 |
| 3 | 1 | C-026-1070-00 | O-Ring, 1.5x7mm, Buna 70 |
| 4 | 1 | C-026-1105-00 | O-Ring, 1.5x10.5mm, Buna 70 |
| 5 | 1 | C-035-0014-00 | Spring, Striker 2" |
| 6 | 1 | C-035-0020-00 | Magnet, 0.188x0.1 |
| 7 | 1 | C-035-0021-50 | Burst Disk, 5K |
| 8 | 1 | C-035-4000-28 | Gauge, 4K, 3/8-28, AAA |
| 9 | 1 | C-200-0440-08 | SHCS, 4-40x1/2-HX |
| 10 | 1 | C-214-1032-04 | SHSS, 10-32X1/4, Nylon Tip |
| 11 | 1 | C-215-0313-08 | SHSS 5/16-18x1/2 EXFP (Valve Retention*) |
| 12 | 1 | C-215-1032-04 | SHSS-HX-EXFP |
| 13 | 2 | C-260-0125-04 | Pin, 1/8x1/4 |
| 14 | 2 | C-260-0125-12 | Pin, 1/8x3/4 |
| 15 | 1 | C-260-0156-06 | Pin 5/32x3/8 |
| 16 | 1 | C-270-0156-14 | Shoulder Bolt, 5/32x3/4-SH |
| 17 | 1 | D-100-0014-01 | Knob, Side Lever |
| 18 | 1 | D-100-0101-01 | Receiver, EVOL, RH |
| 19 | 1 | D-100-0116-03 | Bolt, Evol, 30 Cal |
| 20 | 1 | D-100-0117-00 | Lever, EVOL |
| 21 | 1 | D-100-0118-00 | Drive Pin, Bolt, EVOL |
| 22 | 1 | D-100-0119-00 | Link, Side Lever, EVOL |
| 23 | 1 | D-100-0122-00 | Striker, EVOL, 31gm. |
| 24 | 1 | D-100-0123-00 | Anti-Rotation, Striker, EVOL |
| 25 | 1 | D-100-0125-00 | Striker Adjuster, EVOL |
| 26 | 1 | D-100-0161-00 | Catch, Lever, EVOL |
| 27 | 1 | D-100-0168-10 | Spacer, Plenum, AAA 3/8x28 Gauge |
| 28 | 1 | D100-0124-03 | Chamber, 30 Cal., Pellet |
| 29 | 1 | E-100-0052-20 | Trigger Assembly, EVOL |
| 30 | 1 | E-200-0003-02 | Valve, 0.295, EVOL |



| | | | | | |
|---|-----------|-----------|--|--------------------------------|-------|
| UNLESS OTHERWISE SPECIFIED: ALL DIMENSIONS ARE IN INCHES TOLERANCES ARE: FRACTIONS ANGLES DECIMALS +/- .1/32" +/- .5 X=.02 XX=.01 XXX=.005 SURFACE FINISH 63 ✓ | APPROVALS | DATE | American Air Arms (661) 468-7520 www.americanairarms.com | | |
| | DRAWN | 2/18/2021 | | | TITLE |
| | MATERIAL: | ELEC. | | Receiver Assembly, EVOL | |
| | FINISH: | MECH. | | | |
| | PROD. | | SIZE | PROJECT | |
| | QA | | B | | |
| | CONFIG. | | REF: P/N | REF: P/N | |
| | | | E-100-0100-31 | | |
| | | | SCALE | FILE TYPE / NAME | |
| | | | NONE | INVENTOR: E-100-0100-31.idw | |
| | | | SHEET | OF | |
| | | | 1 | 1 | |