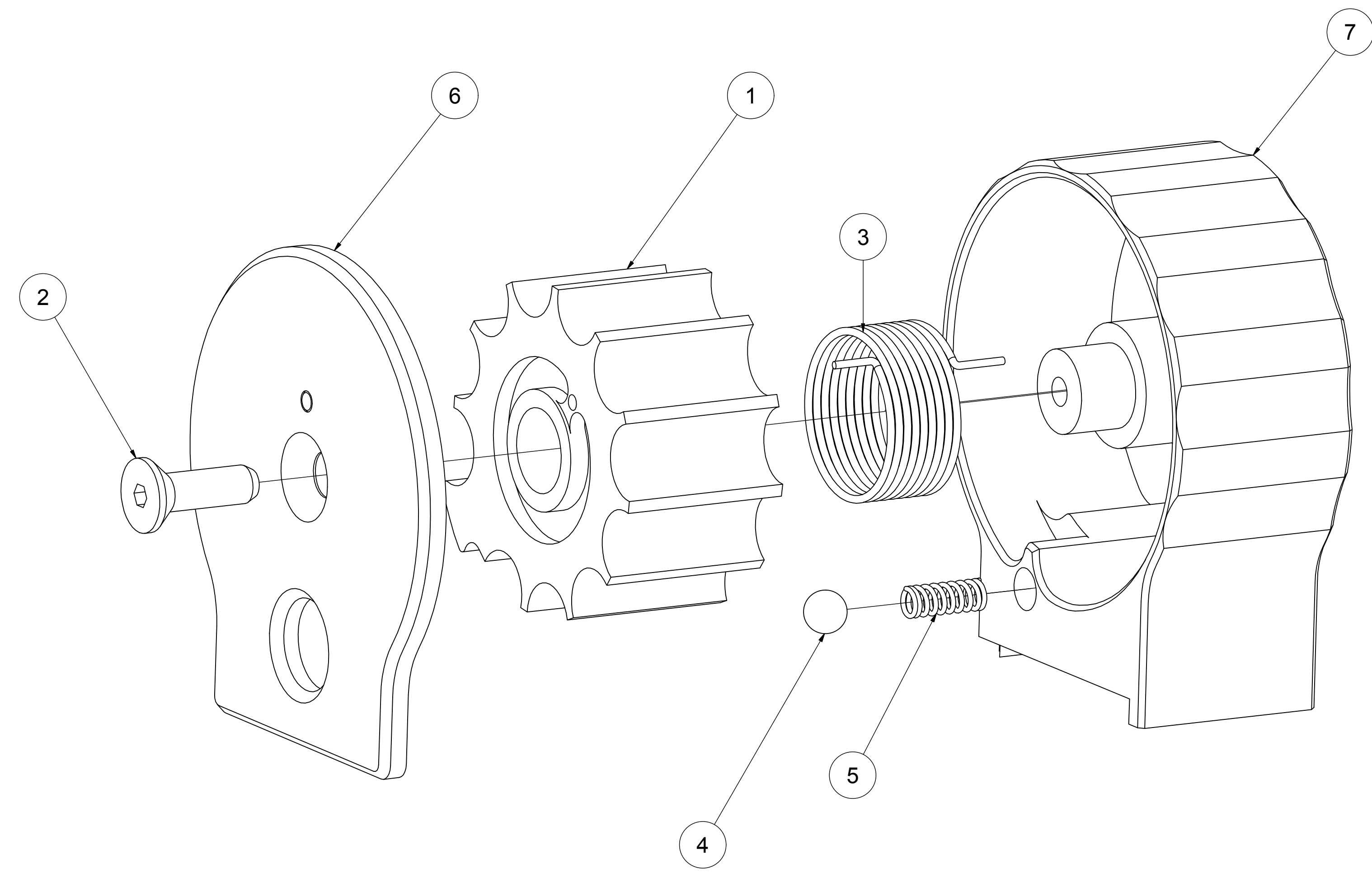


8 7 6 5 4 3 2 1

PROPRIETARY NOTICE:
 TECHNICAL DATA AND DESIGNS DISCLOSED HEREIN ARE THE
 EXCLUSIVE PROPERTY OF AMERICAN AIR ARMS AND / OR CONTAIN
 PROPRIETARY RIGHTS OF OTHERS AND ARE NOT TO BE USED FOR
 MANUFACTURE OR OTHER PURPOSE WITHOUT PRIOR WRITTEN
 AUTHORITY OF AMERICAN AIR ARMS.

REVISION HISTORY				
ZONE	REV	DESCRIPTION	DATE	APPROVED
	A	Initial Release	5/12/2020	TC



Parts List - E-250-0001-XX, Magazine, EVOL

ITEM	QTY	PART NUMBER	DESCRIPTION
1	1	D-150-0012-XX	Magazine Wheel, EVOL, 22, 11 RND
2	1	C-202-0440-06	FHCS, 4-40.38 HX
3	1	C-035-0110-22	Torsion Spring, Mag, EVOL
4	1	C-020-0125-00	Ball, 3/32
5	1	C-035-0015-01	Spring, 093, 375
6	1	E-250-0002-XX	Cover Plate, Magazine, EVOL, 22
7	1	E-250-0003-XX	Magazine Body, EVOL, 22

EVOL MAGAZINE CALIBERS

DASH#	CALIBER
-00	17
-01	22
-02	25
-03	30

UNLESS OTHERWISE SPECIFIED:
 ALL DIMENSIONS ARE IN INCHES
 TOLERANCES ARE:
 FRACTIONS ANGLES DECIMALS
 +/- .1/32" +/- .5 .XX=.01
 .XXX=.005
 SURFACE FINISH 63 ✓

APPROVALS	DATE
DRAWN Tom	5/11/2020
ELEC.	
MECH.	
PROD.	
QA	
CONFIG.	

American Air Arms
 (661) 468-7520 www.americanairarms.com

TITLE
Magazine, EVOL

SIZE B	PROJECT	REF: P/N E-250-0001-XX	REV A
SCALE NONE	FILE TYPE / NAME INVENTOR: E-250-0001-XX.idw	SHEET 1	OF 1