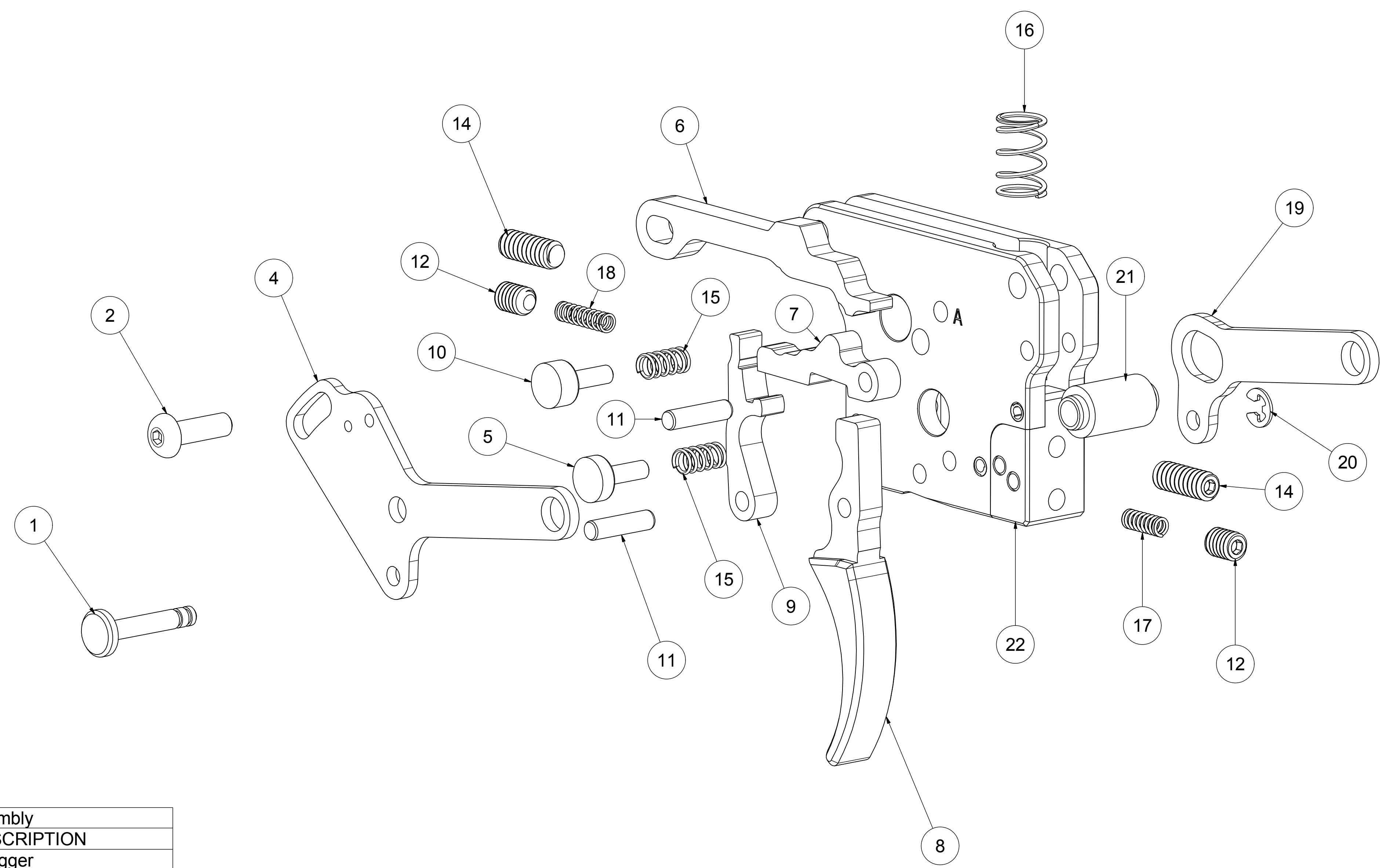


8 7 6 5 4 3 2 1

PROPRIETARY NOTICE:  
 TECHNICAL DATA AND DESIGNS DISCLOSED HEREIN ARE THE  
 EXCLUSIVE PROPERTY OF AMERICAN AIR ARMS AND / OR CONTAIN  
 PROPRIETARY RIGHTS OF OTHERS AND ARE NOT TO BE USED FOR  
 MANUFACTURE OR OTHER PURPOSE WITHOUT PRIOR WRITTEN  
 AUTHORITY OF AMERICAN AIR ARMS.



E-100-0052-00 EVOL Trigger Assembly			
ITEM	QTY	PART NUMBER	DESCRIPTION
1	1	D-100-0155-00	Pivot Shaft, Trigger
2	1	C-203-0440-06	SHCS 4-40X.38 BH
4	1	D-100-0164-00	Lever, Safety, Left, EVOL TAC
5	1	D-100-0158-02	Plunger, Safety, Short
6	1	D-100-0162-00	Sear, Upper
7	1	D-100-0162-01	Sear, Intermediate
8	1	D-100-0163-00	Trigger, EVOL TAC
9	1	D-100-0162-02	Sear, Lower
10	1	D-100-0158-01	Plunger, Safety, Long
11	2	C-260-0938-06	Dowel Pin, 093x380
12	2	D-210-0640-03	SHSS, 0640X.188 OVL
14	2	C-212-0640-06	SHSS, 6-40X.38 OVL
15	2	C-035-0018-00	Spring, 125, 250
16	1	C-035-0019-01	Spring, 240, 380
17	1	C-035-0015-01	Spring, 093, 375
18	1	C-035-0017-01	Spring, 094, 380
19	1	D-100-0164-01	Lever, Safety, Right, EVOL TAC
20	1	C-030-0020-03	Retaining Clip 3/32
21	1	D-100-0153-00	Spacer, Safety, Thru-Hole
22	1	E-100-0110-00	Trigger Body, EVOL

UNLESS OTHERWISE SPECIFIED: ALL DIMENSIONS ARE IN INCHES TOLERANCES ARE: FRACTIONS ANGLES DECIMALS +/- .1/32" +/- .5 .XX=.01 .XXX=.005 SURFACE FINISH 63 ✓	APPROVALS	DATE	<b>American Air Arms</b> (661) 468-7520 www.americanairarms.com	
	DRAWN Tom	5/13/2020		
	ELEC.		MECH.	EVOL TAC Trigger Assembly
	PROD.		QA	SIZE PROJECT REF: P/N REV <b>B</b> E-100-0052-00 A
FINISH:	CONFIG.		SCALE NONE	FILE TYPE / NAME SHEET OF INVENTOR: E-100-0052-00.idw 1 1