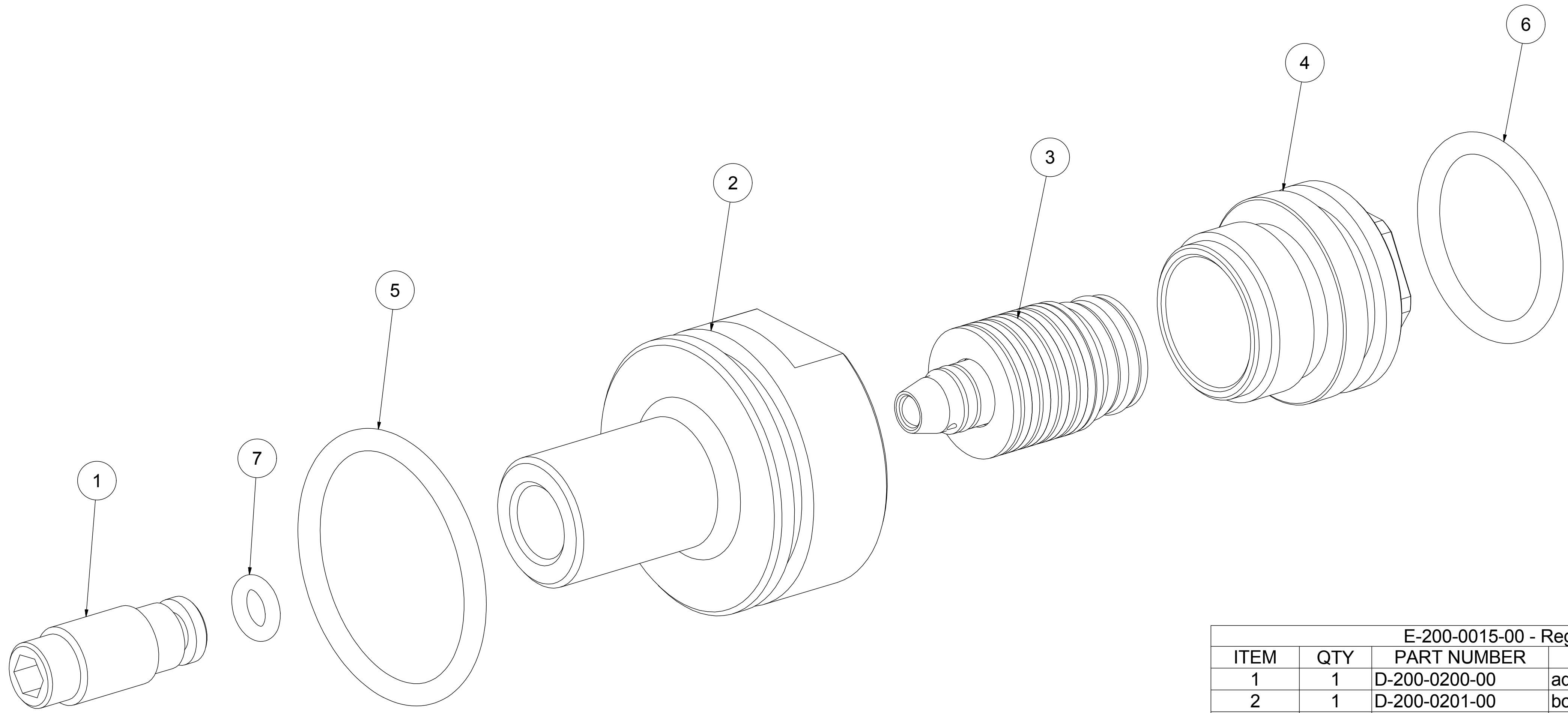


8 7 6 5 4 3 2 1

PROPRIETARY NOTICE:
 TECHNICAL DATA AND DESIGNS DISCLOSED HEREIN ARE THE
 EXCLUSIVE PROPERTY OF AMERICAN AIR ARMS AND / OR CONTAIN
 PROPRIETARY RIGHTS OF OTHERS AND ARE NOT TO BE USED FOR
 MANUFACTURE OR OTHER PURPOSE WITHOUT PRIOR WRITTEN
 AUTHORITY OF AMERICAN AIR ARMS.

REVISION HISTORY			
REV	DESCRIPTION	DATE	APPROVED
A	INITIAL RELEASE	04//3/2018	TC

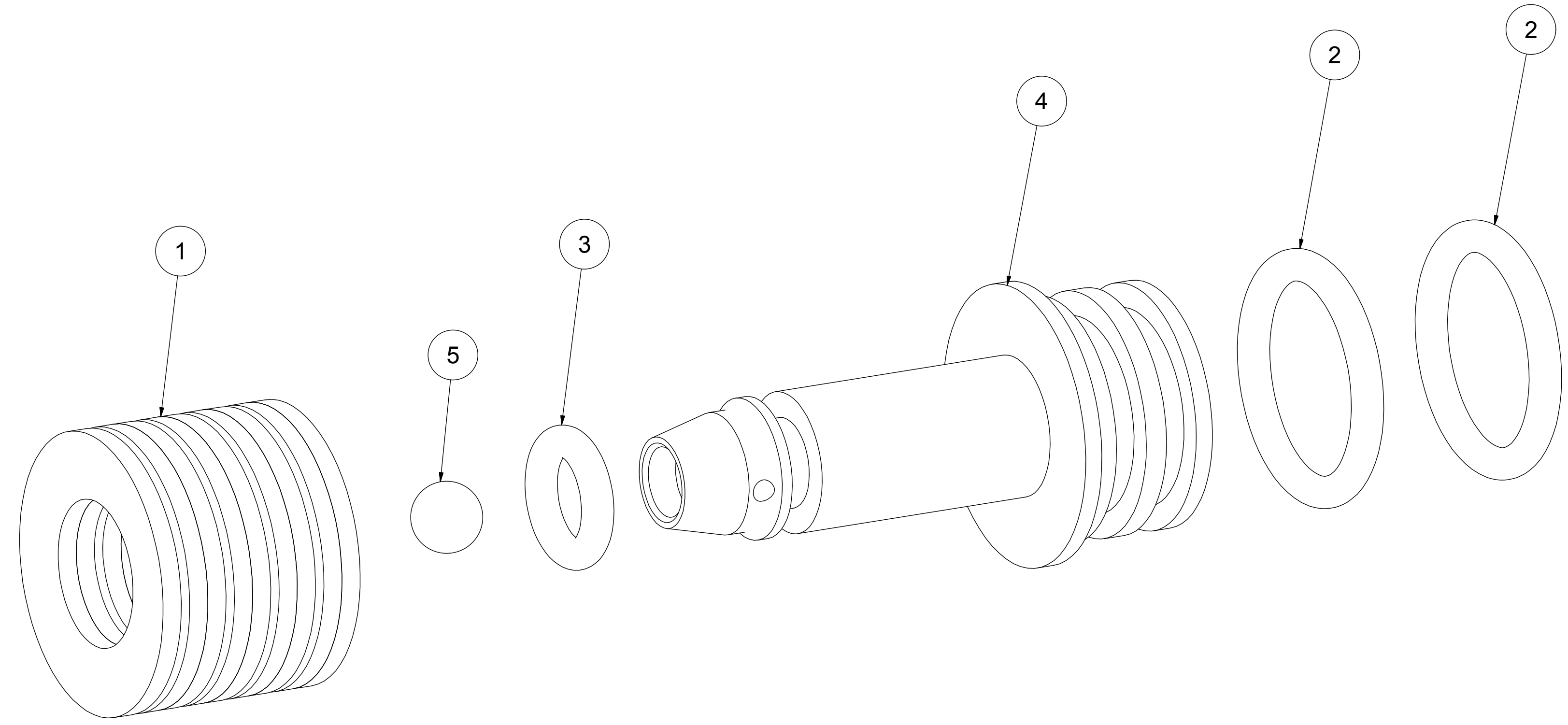


E-200-0015-00 - Regulator, EVOL			
ITEM	QTY	PART NUMBER	DESCRIPTION
1	1	D-200-0200-00	adjuster, regulator
2	1	D-200-0201-00	body, regulator, HP
3	1	E-200-0010-00	spool, regulator
4	1	D-200-0202-00	body, regulator, LP
5	1	C-025-0122-00	O-ring, -122, buna 75
6	1	C-025-0117-00	O-ring, -117, buna 75
7	1	C-025-0008-11	O-ring, -008, poly 90

UNLESS OTHERWISE SPECIFIED: ALL DIMENSIONS ARE IN INCHES TOLERANCES ARE: FRACTIONS ANGLES DECIMALS +/- .1/32" +/- .5 XX=.01 XXX=.005 SURFACE FINISH 63 ✓	APPROVALS	DATE	American Air Arms (661) 468-7520 www.americanairarms.com				
	DRAWN Tom	4/4/2018			TITLE		
	ELEC.		Regulator Assembly, EVOL				
	MECH.						
MATERIAL:	PROD.		SIZE	PROJECT	REF: P/N	REV	
	QA		B		E-200-0015-00	A	
FINISH:	CONFIG.		SCALE	FILE TYPE / NAME		SHEET	OF
			NONE	INVENTOR: E-200-0015-00.idw		1	2

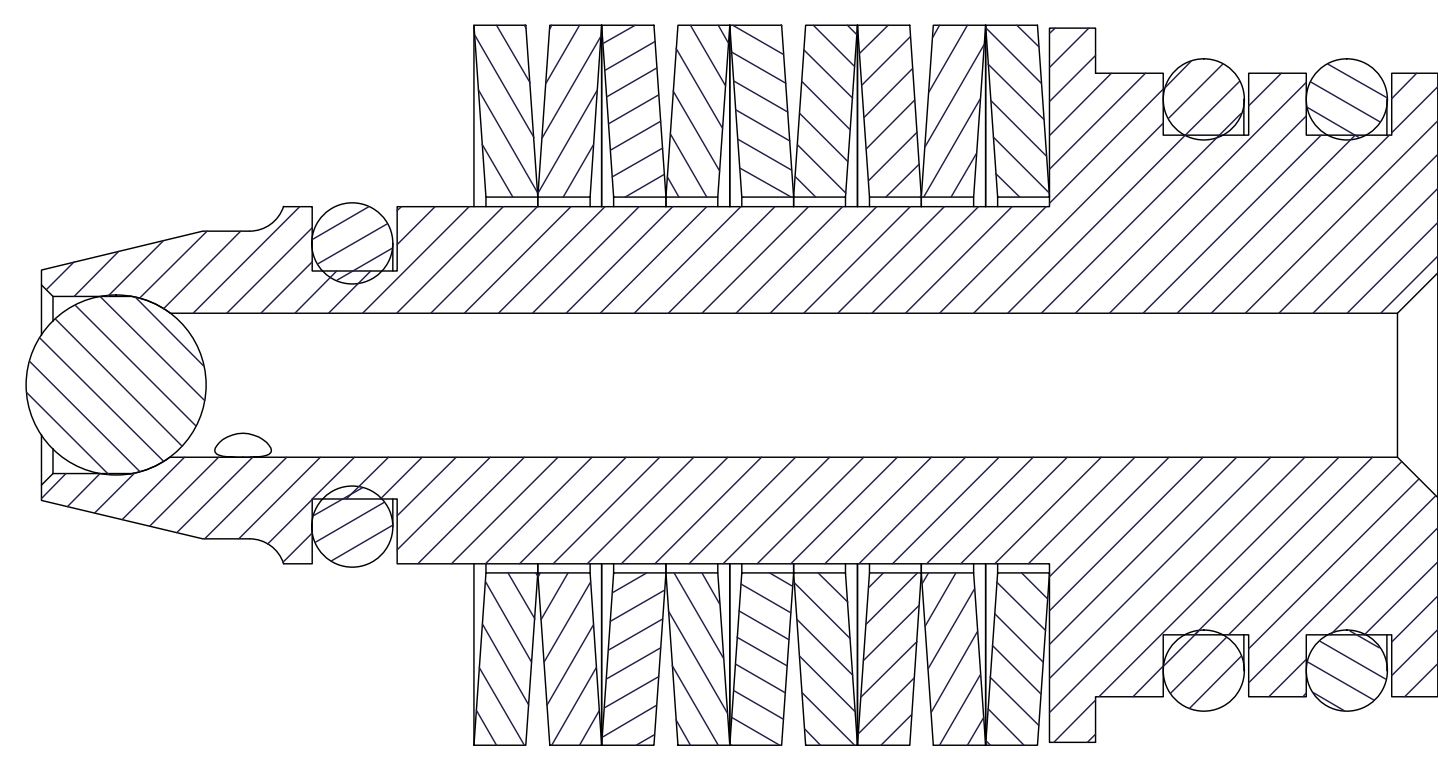
8 7 6 5 4 3 2 1

PROPRIETARY NOTICE:
 TECHNICAL DATA AND DESIGNS DISCLOSED HEREIN ARE THE
 EXCLUSIVE PROPERTY OF AMERICAN AIR ARMS AND / OR CONTAIN
 PROPRIETARY RIGHTS OF OTHERS AND ARE NOT TO BE USED FOR
 MANUFACTURE OR OTHER PURPOSE WITHOUT PRIOR WRITTEN
 AUTHORITY OF AMERICAN AIR ARMS.



E-200-0010-00 - Spool, Regulator, EVOL			
ITEM	QTY	PART NUMBER	DESCRIPTION
1	9	C-035-0100-10	spring, bellville
2	2	C-025-0013-11	O-ring, -0013, poly 90
3	1	C-025-0008-11	O-ring, -008, poly 90
4	1	D-200-0203-00	piston, regulator
5	1	C-020-0156-10	ball, 0156, delrin

Bellville Stackup



UNLESS OTHERWISE SPECIFIED:
 ALL DIMENSIONS ARE IN INCHES
 TOLERANCES ARE:
 FRACTIONS ANGLES DECIMALS
 +/- 1/32" +/- .5 .XX=.01
 .XXX=.005
 SURFACE FINISH 63 ✓
 MATERIAL:
 FINISH:

APPROVALS	DATE
DRAWN Tom	4/4/2018
ELEC.	
MECH.	
PROD.	
QA	
CONFIG.	

American Air Arms
 (661) 468-7520 www.americanairarms.com

TITLE
Regulator Assembly, EVOL

SIZE B	PROJECT	REF: P/N E-200-0015-00	REV A
SCALE NONE	FILE TYPE / NAME INVENTOR: E-200-0015-00.idw	SHEET 2 OF 2	