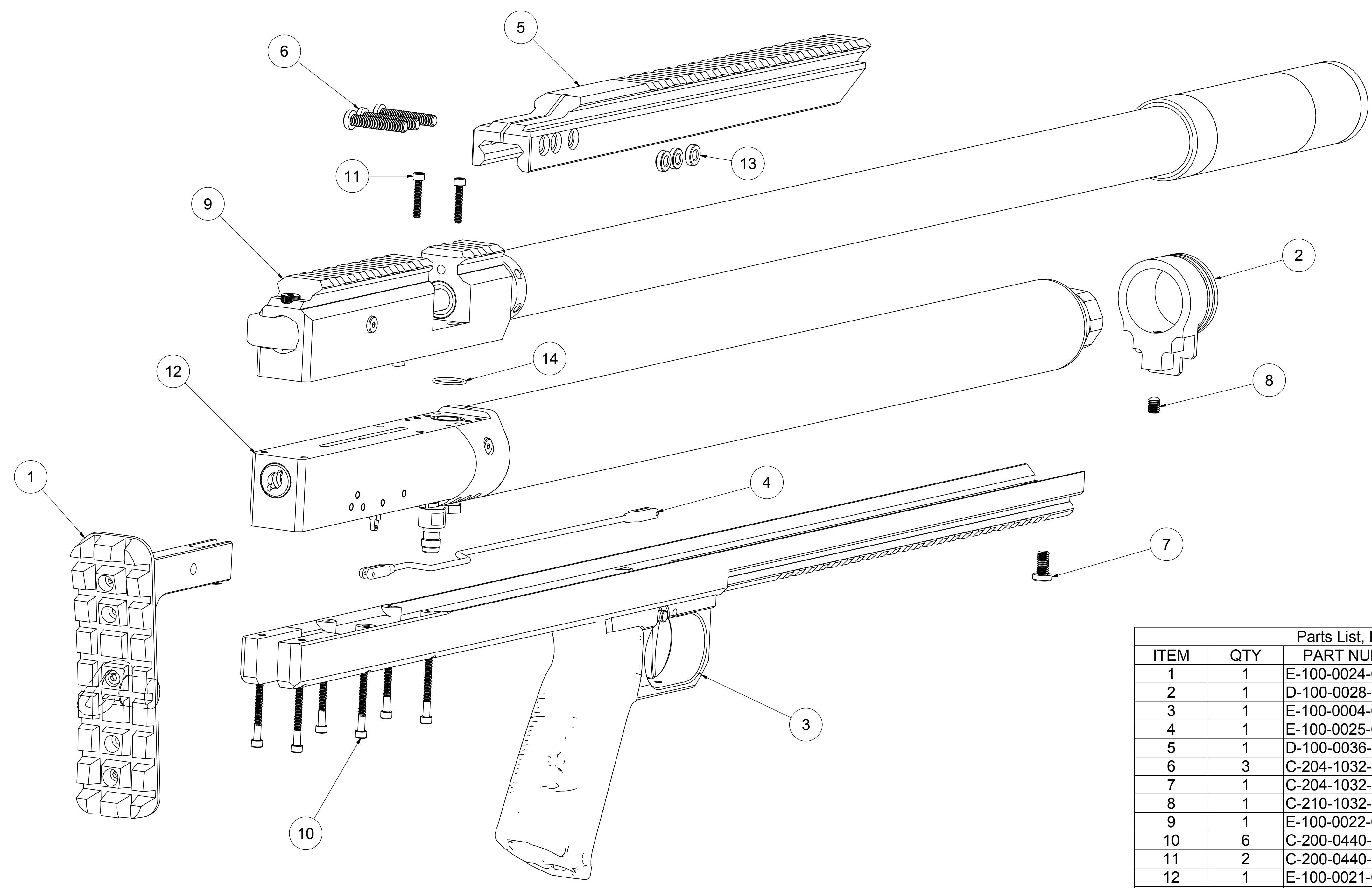


PROPRIETARY NOTICE:  
 TECHNICAL DATA AND DESIGNS DISCLOSED HEREIN ARE THE EXCLUSIVE PROPERTY OF AMERICAN AIR ARMS AND / OR CONTAIN PROPRIETARY RIGHTS OF OTHERS AND ARE NOT TO BE USED FOR MANUFACTURE OR OTHER PURPOSE WITHOUT PRIOR WRITTEN AUTHORITY OF AMERICAN AIR ARMS.

REVISION HISTORY			
REV	DESCRIPTION	DATE	APPROVED
A	INITIAL RELEASE	01/11/2018	TC

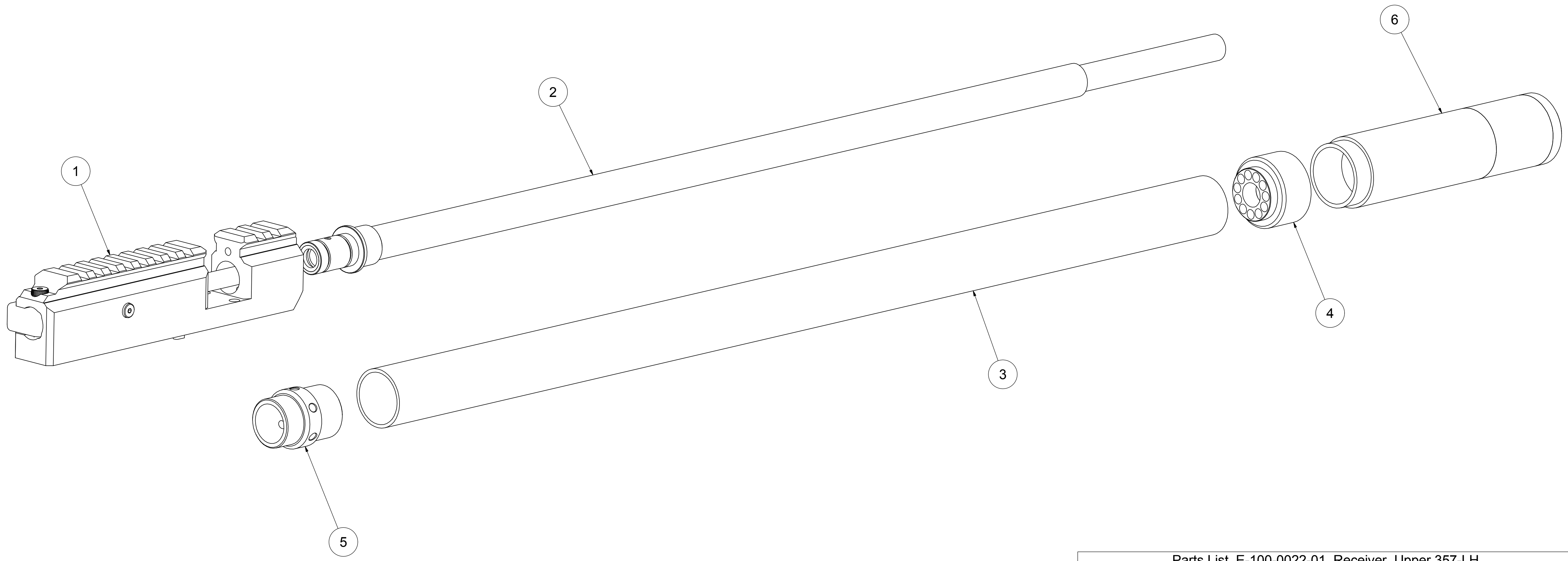


ITEM	QTY	PART NUMBER	DESCRIPTION
1	1	E-100-0024-00	butt plate
2	1	D-100-0028-00	rail support, front
3	1	E-100-0004-00	Rail assy, lower, LH
4	1	E-100-0025-00	pull rod, trigger
5	1	D-100-0036-00	scope rail, 12", 25 MOA
6	3	C-204-1032-16	SHCS, 10-32x1. LH-HX
7	1	C-204-1032-04	SHCS, 10-32x.25 LH-HX
8	1	C-210-1032-04	SHSS, 10-32x.25 HX-S
9	1	E-100-0022-01	upper, complete
10	6	C-200-0440-16	SHCS, 4-40x1. HX
11	2	C-200-0440-10	SHCS, 4-40X.58 HX-S
12	1	E-100-0021-00	lower, complete
13	3	C-320-1032-03	pemunt, 10-32-3
14	1	C-026-0112-00	O-ring, 1x12mm

UNLESS OTHERWISE SPECIFIED: ALL DIMENSIONS ARE IN INCHES TOLERANCES ARE: FRACTIONS ANGLES DECIMALS +/- .1/32" +/- .5 XX=.01 XXX=.005	APPROVALS	DATE	<b>American Air Arms</b> (661) 468-7520 www.americanairarms.com	
	DRAWN Tom	1/10/2018		
SURFACE FINISH 63 ✓	ELEC.		357 SlayerLH, Master Assembly	
MATERIAL:	MECH.		SIZE	PROJECT
	PROD.		B	E-100-1000-01
FINISH:	QA		REF: P/N	REV
	CONFIG.		E-100-1000-01	A
			SCALE	FILE TYPE / NAME
			NONE	INVENTOR: E-100-1000-01.idw
				SHEET 1 OF 3

8 7 6 5 4 3 2 1

PROPRIETARY NOTICE:  
 TECHNICAL DATA AND DESIGNS DISCLOSED HEREIN ARE THE  
 EXCLUSIVE PROPERTY OF AMERICAN AIR ARMS AND / OR CONTAIN  
 PROPRIETARY RIGHTS OF OTHERS AND ARE NOT TO BE USED FOR  
 MANUFACTURE OR OTHER PURPOSE WITHOUT PRIOR WRITTEN  
 AUTHORITY OF AMERICAN AIR ARMS.



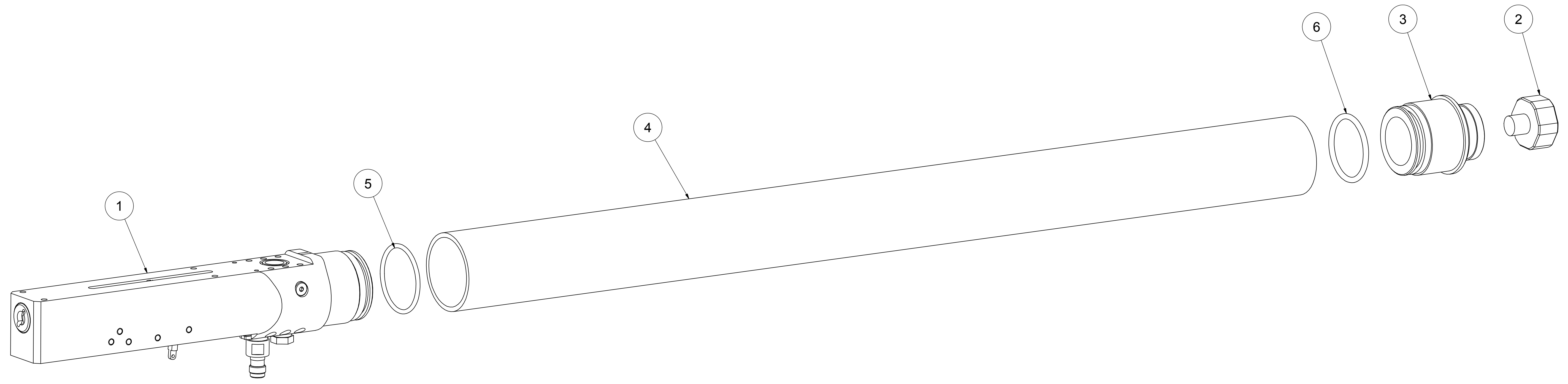
Parts List, E-100-0022-01, Receiver, Upper 357-LH

ITEM	QTY	PART NUMBER	DESCRIPTION
1	1	E-100-0002-01	receiver, 357, LH
2	1	E-100-0016-01	barrel w/sleeve
3	1	D-100-0033-00	shroud, 24"
4	1	D-100-0034-00	barrel/moderator nut
5	1	D-100-0035-00	barrel nut
6	1	E-125-0001-01	moderator, 357

UNLESS OTHERWISE SPECIFIED: ALL DIMENSIONS ARE IN INCHES TOLERANCES ARE: FRACTIONS ANGLES DECIMALS +/- .1/32" +/- .5 .XX=.01 .XXX=.005 SURFACE FINISH 63 ✓	APPROVALS	DATE	<b>American Air Arms</b> (661) 468-7520 www.americanairarms.com		
	DRAWN Tom	1/10/2018			
	ELEC.		357 SlayerLH, Master Assembly		
	MECH.		SIZE	PROJECT	REF: P/N
PROD.		B		E-100-1000-01	A
QA		SCALE	FILE TYPE / NAME		SHEET
CONFIG.		NONE	INVENTOR: E-100-1000-01.idw		2 OF 3

8 7 6 5 4 3 2 1

PROPRIETARY NOTICE:  
 TECHNICAL DATA AND DESIGNS DISCLOSED HEREIN ARE THE  
 EXCLUSIVE PROPERTY OF AMERICAN AIR ARMS AND / OR CONTAIN  
 PROPRIETARY RIGHTS OF OTHERS AND ARE NOT TO BE USED FOR  
 MANUFACTURE OR OTHER PURPOSE WITHOUT PRIOR WRITTEN  
 AUTHORITY OF AMERICAN AIR ARMS.



Parts List, E-100-0021-00, receiver, lower

ITEM	QTY	PART NUMBER	DESCRIPTION
1	1	E-100-0001-00	receiver, lower - 308, 357
2	1	C-035-4000-16	gauge, 1", 4k
3	1	D-100-0029-01	tube cap, gauge mount, -122
4	1	D-125-1500-19	reservoir, 19"
5	1	C-026-0230-10	O-ring, 2x30mm, poly
6	1	C-025-0122-00	O-ring, -122

UNLESS OTHERWISE SPECIFIED: ALL DIMENSIONS ARE IN INCHES TOLERANCES ARE: FRACTIONS ANGLES DECIMALS +/- 1/32" +/- .5 .XX=.01 .XXX=.005 SURFACE FINISH 63 ✓	APPROVALS	DATE	<b>American Air Arms</b> (661) 468-7520 www.americanairarms.com	
	DRAWN Tom	1/10/2018		
	ELEC.		MECH.	357 SlayerLH, Master Assembly
	PROD.		QA	SIZE PROJECT REF: P/N REV <b>B</b> E-100-1000-01 A
MATERIAL:	CONFIG.		SCALE NONE	FILE TYPE / NAME INVENTOR: E-100-1000-01.idw SHEET 3 OF 3